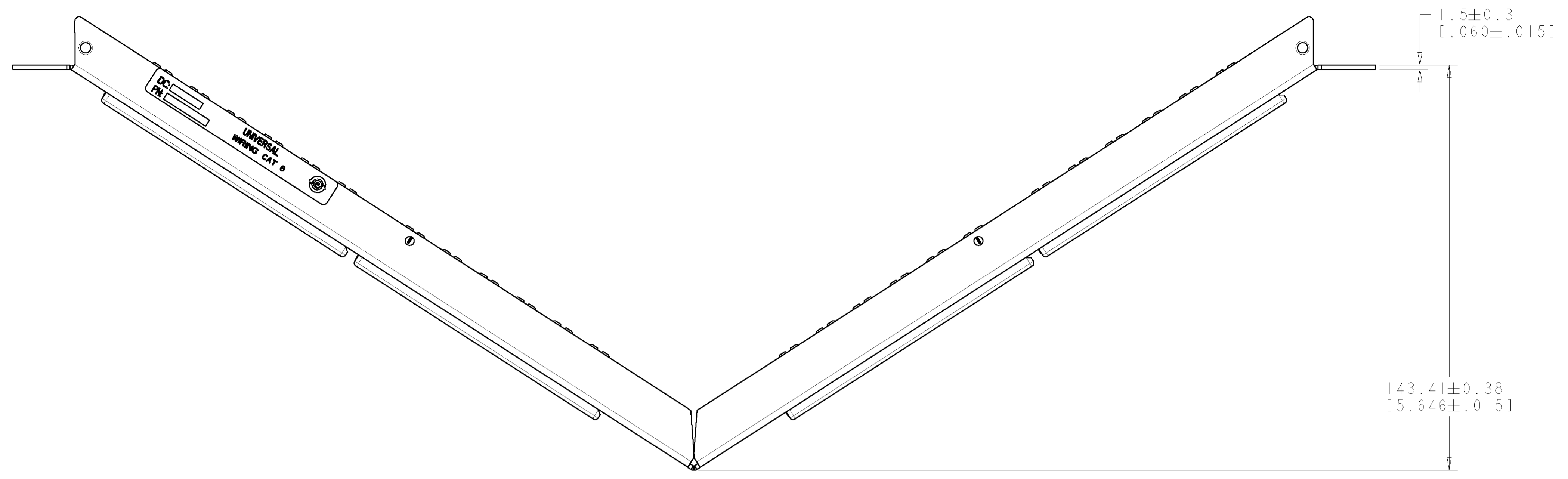
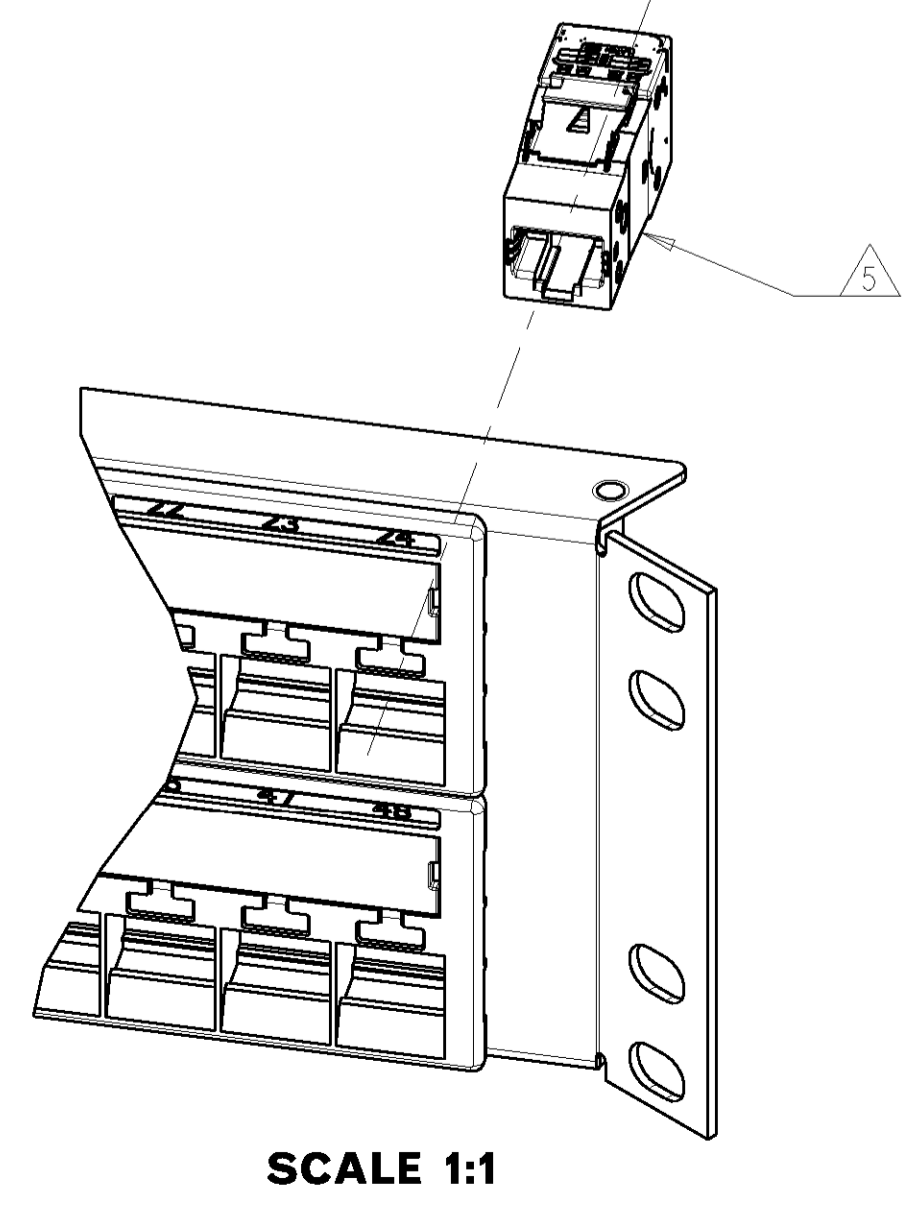
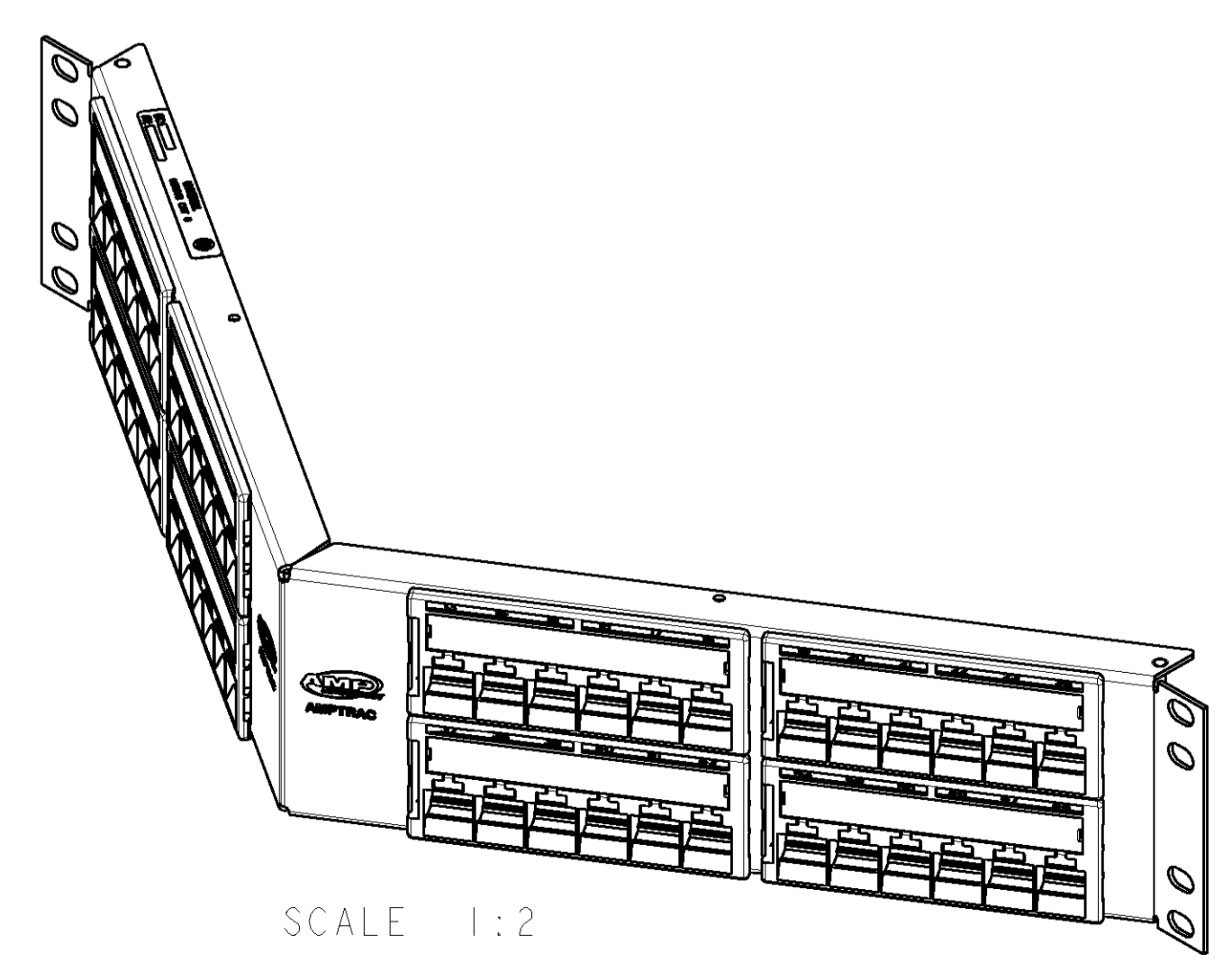
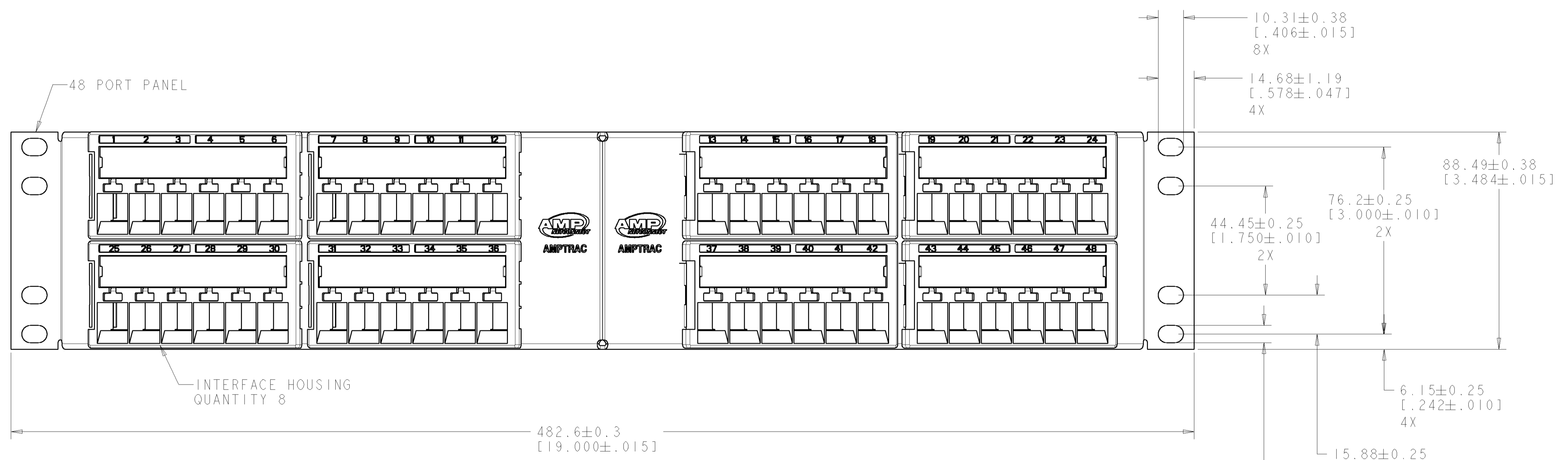


LOC	DIST	REVISIONS					
HM	00	P	LTR	DESCRIPTION	DATE	DWN	APVD
		A		NSD07-041	01JUN2007	JM	SH
		B		ECO-07-015502	05JUL2007	JM	SH



- △ MATERIAL:
 CONNECTOR HOUSING, INTERFACE: POLYESTER MOLDING COMPOUND, BLACK.
 PANEL: BLACK POWDER COAT STEEL WITH WHITE MARKINGS.
- FOUR BLACK 12-24 X 12.7 [.500] LONG AND FOUR 10-32 X 12.7 [.500] LONG CARBON STEEL CROSS RECESSED SCREWS FOR MOUNTING OF PANEL, SHIPPED LOOSE. NOT SHOWN ON DRAWING.
 - EIGHT RELEASEABLE CABLE TIES USED FOR CABLE ORGANIZATION/ROUTING ARE SHIPPED LOOSE. NOT SHOWN ON DRAWING.
 - TWO BAGS OF STRAIN RELIEFS SHIPPED LOOSE. NOT SHOWN ON DRAWING.
- △ JACKS PACKAGED AND SHIPPED LOOSE TO BE FIELD INSTALLED.



1933334-1
PART NUMBER

DIMENSIONS: MMI [INCHES]		TOLERANCES UNLESS OTHERWISE SPECIFIED: 0 PLC ± 1 PLC ± 2 PLC ± 3 PLC ± 4 PLC ± ANGLES ±		DWN J MCNEAL 01JUN2007 CHK S HERNDON 01JUN2007 APVD S HERNDON 01JUN2007		tyco Electronics Tyco Electronics Harrisburg, PA 17105-3608	
MATERIAL: △		FINISH: △		PRODUCT SPEC:		NAME: KIT, PATCH PANEL, AMPTRAC 2U, 48 PORT, XG, SHIELDED, ANGLED	
CUSTOMER DRAWING		WEIGHT:		SIZE: CAGE CODE DRAWING NO: A 00779 C-1933334		RESTRICTED TO:	
SCALE 1:2		SHEET 1 OF 1		REV B		DATE: 01JUN2007	